

## CARBIS TC10 Freestanding Mobile Access Ladders

The TC10 is free standing and has **interchangeable safety cages** all using the same base and ladder. It's a more **robust design** and **covers all the ranges of vehicles** be it trucks or rail cars using the same unit.

We have a standard cart as well as a side mount (lateral movement) cart

Made to USA OSHA and **Australian Standards** (Certificate available)



### TC10 models or variation:

**TC10-HC/TR-FLT**

Used to access hopper cars/trucks, tank trucks & isotainers  
cage: 1664mmWide x 2140mmLong x 1067mmHigh

**TC10-RC-FLT**

Used to access rail cars  
cage: 1981mmWide x 2438mmLong x 305mmHigh

TC10 mobile ladders are manufactured by Carbis to **USA OSHA and Australian Standards** (certificate available). If variations are required, the #TC10 **can be custom modified** - customers will need to provide a detailed drawing to enable a quotation.



#TC10-HC/TR-FLT Illustrated, Standard Model (with Forklift Tubes - Not Show)



Forklift Tubes (#FLT) now included in standard model

Illustrated side mount model #TC10-RC-S-FLT, Standard Model (with Forklift Tubes - Not Shown)



### TC10-S models or variation for lateral movement:

**TC10-HC/TR-S-FLT**

Side mount unit for hopper cars/trucks, tank trucks & isotainers  
cage: 1664mmWide x 2140mmLong x 1067mmHigh

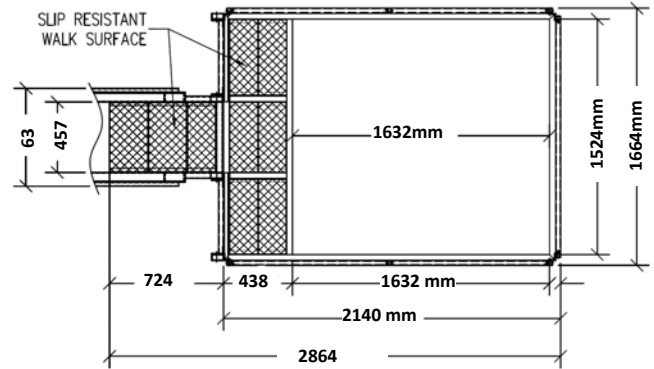
**TC10-RC-S-FLT**

Side mount unit for rail cars  
cage: 1981mmWide x 2438mmLong x 305mmHigh

## TC10 - use for hopper cars/trucks, tank trucks & isotainers

### Portable Hopper Car or Tank Truck access system

- Aluminum flat-step extension ladder with open serrated metal plank steps
- Un-extended height 2997mm under platform
- Extended height 5029mm under platform
- 457Wx724Lmm platform walkway at top of ladder to which a cage is attached
- **1664mm wide X 2140mm long X 1067mm deep cage**
- Cage has 438mm walk surface on inboard side
- Open serrated metal plank walk surface on platform and base
- Handrails on platform, ladder, and base
- 406mm foam-filled swivel wheels on front
- 406mm foam-filled wheels on back
- Leveling jacks
- Hand winch operation
- Steering handle with tow bar
- Self-supporting when locking pins are fully engaged prior to accessing
- Rolling galvanized steel base
- Forklift Tubes Included



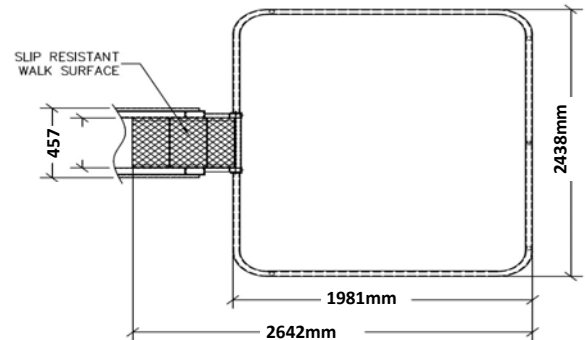
Items	Part Number	Details	
Used to access hopper cars/trucks, tank trucks & isotainers cage: 1664W x 2140L x 1067H mm	# TC10-HC/TR-FLT	Standard	Please email to sales@spacepac.com.au for current pricing
	# TC10-HC/TR-S-FLT	Side Mount	

Prices EX Sydney

## TC10 - use for Rail Cars

### Portable tank truck access system

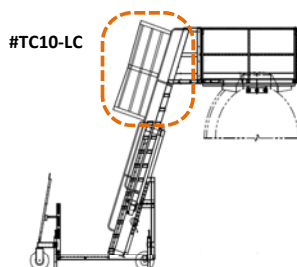
- Aluminum flat-step extension ladder with open serrated metal plank steps
- Un-extended height 2997mm under platform
- Extended height 5029mm under platform
- 457Wx724Lmm platform walkway at top of ladder to which a cage is attached
- **1981mm wide X 2438mm long X 305mm deep cage**
- Open serrated metal plank walk surface on platform and base
- Handrails on platform, ladder, and base
- 406mm foam-filled swivel wheels on front
- 406mm foam-filled wheels on back
- Leveling jacks
- Hand winch operation
- Steering handle with tow bar
- Self-supporting when locking pins are fully engaged prior to accessing
- Rolling galvanized steel base
- Forklift Tubes Included



Items	Part Number	Details	
Used to access rail cars cage: 1981W x 2438L x 305H mm	# TC10-RC-FLT	Standard	Please email to sales@spacepac.com.au for current pricing
	# TC10-RC-S-FLT	Side Mount	

Prices EX Sydney

## Options



Items	Part Number	Details	
Options / Accessories	# TC10-LC	Ladder Cage to suit TC10	
	Modification to cage.. Etc		

All prices/specifications subject to change without notice.

Add 10%GST Australia only